

Description

The SU110-16 SingleSense™ Single-Use Gas Well is a gamma sterilizable and designed for pre-installation into a bioprocess container (BPC) with a 1-inch hose barb port. The gas well has a silicone rubber membrane that is steel-mesh reinforced and gas permeable to O₂ and pCO₂.

The SU110-16 gas well extends further into the BPC to ensure the sensor's RTD is completely in the BPC media and at media temperature.

The rugged, reinforced membrane is rated to 30 psig. The membrane provides a sterile barrier that negates the need to sterilize the DO or pCO₂ sensor by autoclave. Avoiding steam sterilization of the sensor greatly lessens the risk of sensor damage.

Model	SU100 Series
Part Number	SU110-16

Sensor Specifications

Measurement Range	Not applicable
Operational Temp. Range	15°–50° C [60°–122° F]
Storage Temperature	5°–35° C [41°–95° F]
Shelf Life	36 months Post Gamma: 30 months
Gamma Tolerance Level	50 kGy
Sensor/Tubing Interface	1-inch Hose Barb
Sensor Connector Cable	8-pin Variopin

Wetted Materials

Main Gas Well Body	PEEK, USP Class VI, ADI Free
Port Gasket	Dimethyl Silicone Rubber Pt Cure, USP Class VI, ADI Free
Membrane	Dimethyl Silicone Rubber Pt Cure, USP Class VI, ADI Free
Membrane Retainer	PPSU, UPS Class VI, ADI Free

Features

- Steel-mesh reinforced gas well membrane provides a near blow-out proof, sterile gas-permeable barrier
- Gas well eliminates need for sensors to be autoclaved

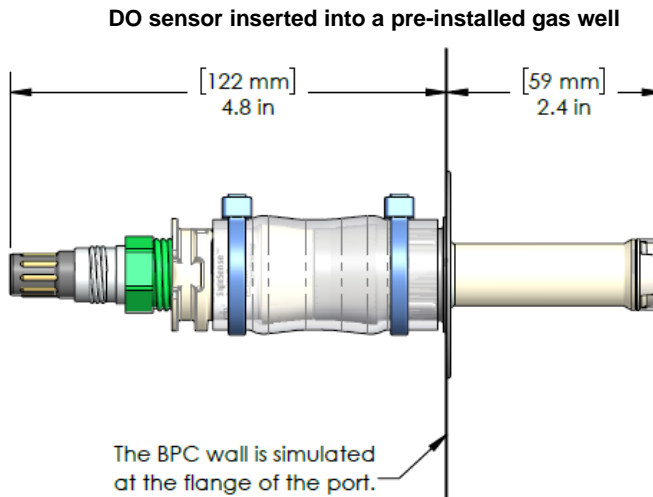
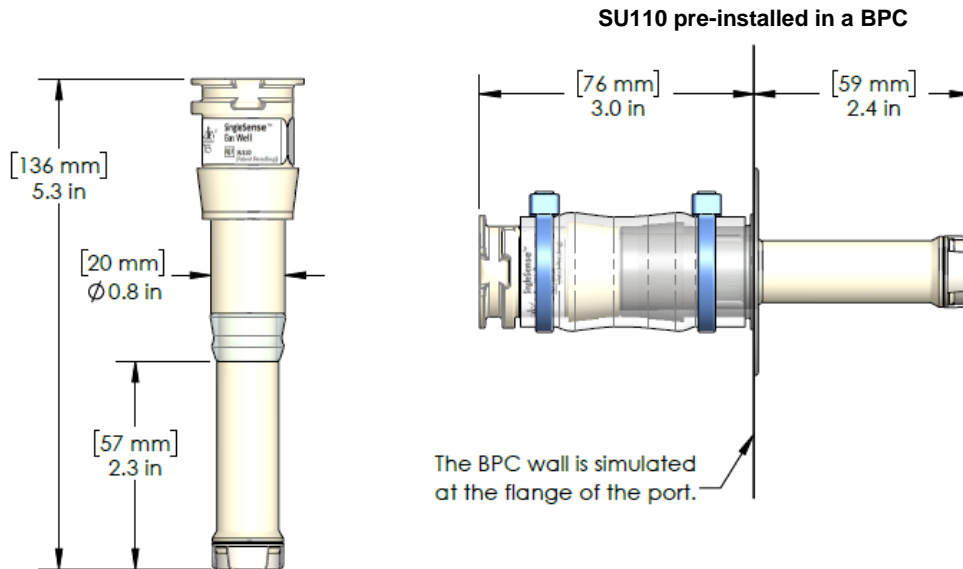
Benefits

- Gas well allows sensors to be switched while BPC is full
- Membrane is rated for two times the hydrostatic pressure anticipated in the largest BPCs
- Protects sensors from exposure to pressurized steam, reducing risk of damage to sensor



SU110-16 Extended Length
Single-Use Gas Well

Dimensional Drawings of SU110-16



The contents of this publication are presented for information purposes only, and while every effort has been made to ensure their accuracy, they are not to be construed as warranties or guarantees, express or implied, regarding products or services described herein or in their use or applicability. All sales are governed by our terms and conditions, which are available on request. We reserve the right to modify or improve the design or specification of such products at any time.

Doc Nbr: PSS-082108 R2

Published 16 Dec 2021

© December 2021 Broadley-James Corporation. All rights reserved. Visit www.broadley-james.com/trademarks for trademark information.

TMP-PSS-102101 R1