

**FermProbe®
OxyProbe®**
Model 301 Series
Storage Containers

Instruction Sheet

FermProbe® OxyProbe® Model 301 Series Storage Containers

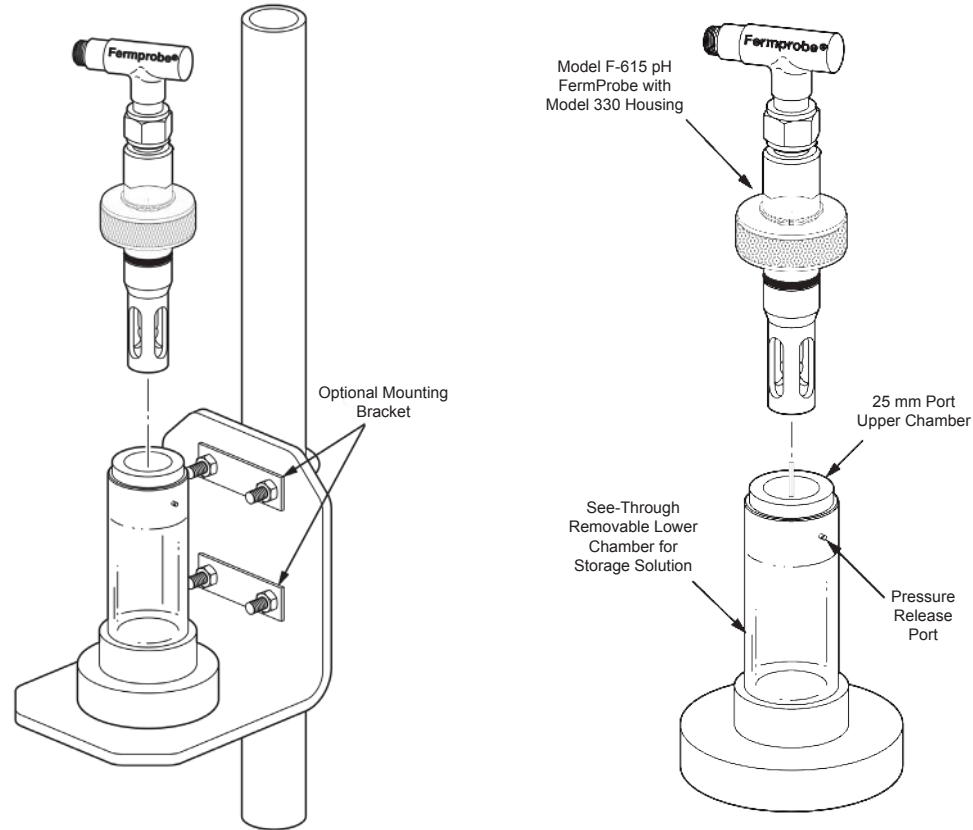


Figure 1. P/N 301-P110 Stanchion Mount Storage Container

Figure 2. P/N 301-P109 Free Standing Storage Container

Stanchion Mount Storage Container

Step 1. Grasp storage container by hand and twist in the direction shown by the arrow until the chamber is unscrewed from its base. No tools are required.

Step 2. Lift storage chamber in the direction shown by the arrow until chamber is freed from its base. Rinse and clean chamber as required.

Replace by reversing Steps 1 & 2 and refill with fresh storage solution.

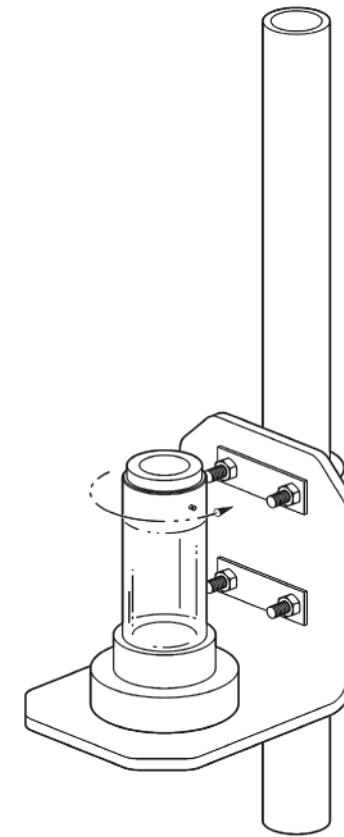


Figure 3. Twist in Direction of Arrow

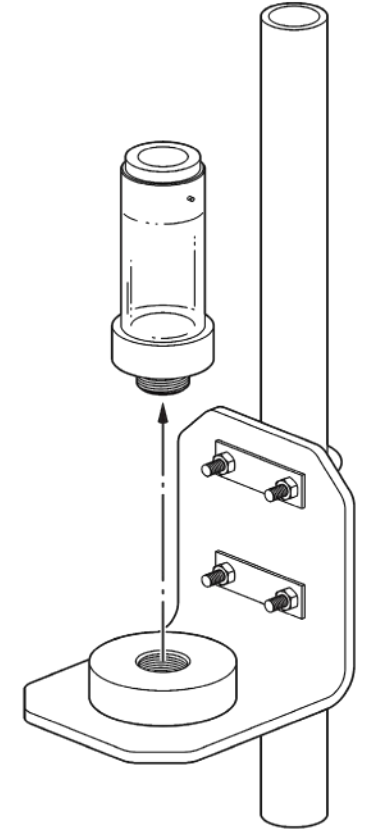
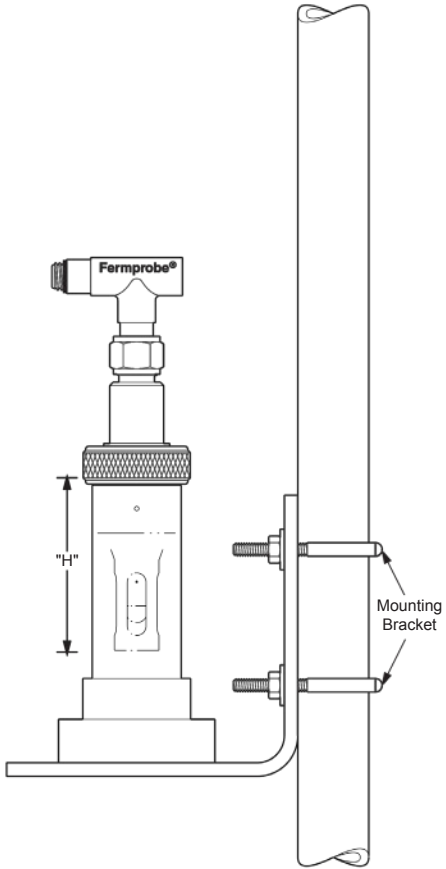


Figure 4. Clean and Replace

Stanchion Mount Storage Container



Part Information

Available "H" Sizes
H = 70 mm
H = 100 mm
H = 150 mm

Stanchion Mount Storage Container	
Part Number	"H" Dimension
301-P110-H070-01	70 mm
301-P110-H100-01	100 mm
301-P110-H150-01	150 mm

Optional 304 sst Mounting Bracket Assembly Part Numbers	
Part Number	Stanchion Pipe Size
300-P111-0750	3/4"
300-P111-0100	1"
300-P111-0150	1.5"
300-P111-0200	2"
300-P111-0300	3"

Figure 5. Part Information

Free Standing Storage Container with Removable Chamber

Step 1. Grasp storage container by hand and twist in the direction shown by the arrow until the chamber is unscrewed from its base. No tools are required.

Step 2. Lift storage chamber in the direction shown by the arrow until chamber is freed from its base. Rinse and clean chamber as required.

Replace by reversing Steps 1 & 2 and refill with fresh storage solution.

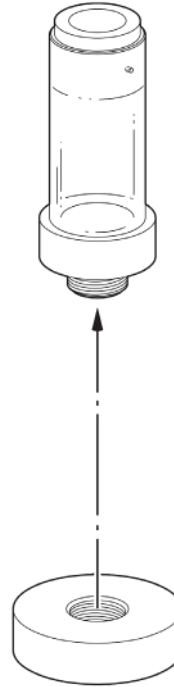


Figure 6. Free Standing Storage Container with Removable Chamber

Free Standing Storage Container

Part Information

Available "H" Sizes
H = 70 mm
H = 100 mm
H = 150 mm

Free Standing Storage Container	
Part Number	"H" Dimension
301-P109-H070-01	70 mm
301-P109-H100-01	100 mm
301-P109-H150-01	150 mm

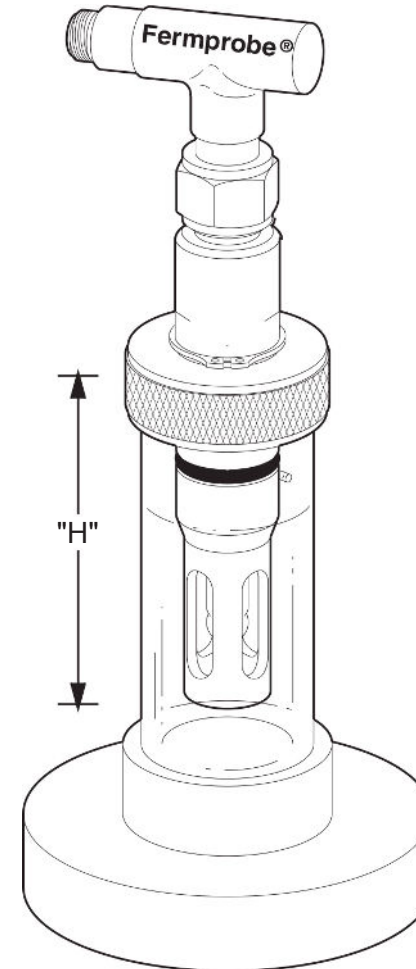


Figure 7. Free Standing Storage Container